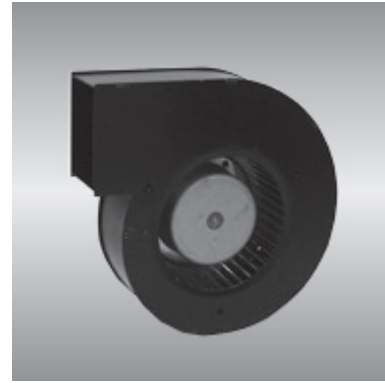


150 BG series

x138x68mm



General Specifications

- Motor : 4 Poles brushless DC motor
- Frame & Impeller : Plastic(UL 94V-0)
- Storage temperature : -40° to +75°
- Operating temperature : -10° to +70°

Major Characteristic Parameters

Model	Bearing System	Rated Voltage	Operating Voltage Range	Rated Current	Rated Speed	Maximum Air Flow		Maximum Static Pressure		Sound Level	Weight
Part NO.	B / S / F	V	V	A	RPM	m ³ /min	CFM	mm-H ₂ O	In-H ₂ O	dBA	g
BGF17569_12M	B	12	7.0~13.2	1.60	2800	2.62	72.0	41.0	1.61	46.0	820
BGF17569_24M	B	24	14.0~26.4	1.00	2800	2.62	72.0	41.0	1.61	46.0	820
BGF17569_48M	B	48	28.0~56.0	0.50	2800	2.62	72.0	41.0	1.61	46.0	820
BGF17569_12H	B	12	7.0~13.2	1.20	4000	2.62	92.5	67.7	2.67	57.0	820
BGF17569_24H	B	24	14.0~26.4	0.54	4000	2.62	92.5	67.7	2.67	57.0	820
BGF17569_48H	B	48	28.0~56.0	0.30	4000	2.62	92.5	67.7	2.67	57.0	820

*Bearing system B: Two Ball Bearing F: Fluid Bearing S: Sleeve Bearing

